

Treatments:

Experiment 1: To test and calibrate the test system

1. Arm vs. Arm

## **WOOD**

1. Arm + Wood (control non treatment)
2. Arm + Skeeterlog (treated wood log)

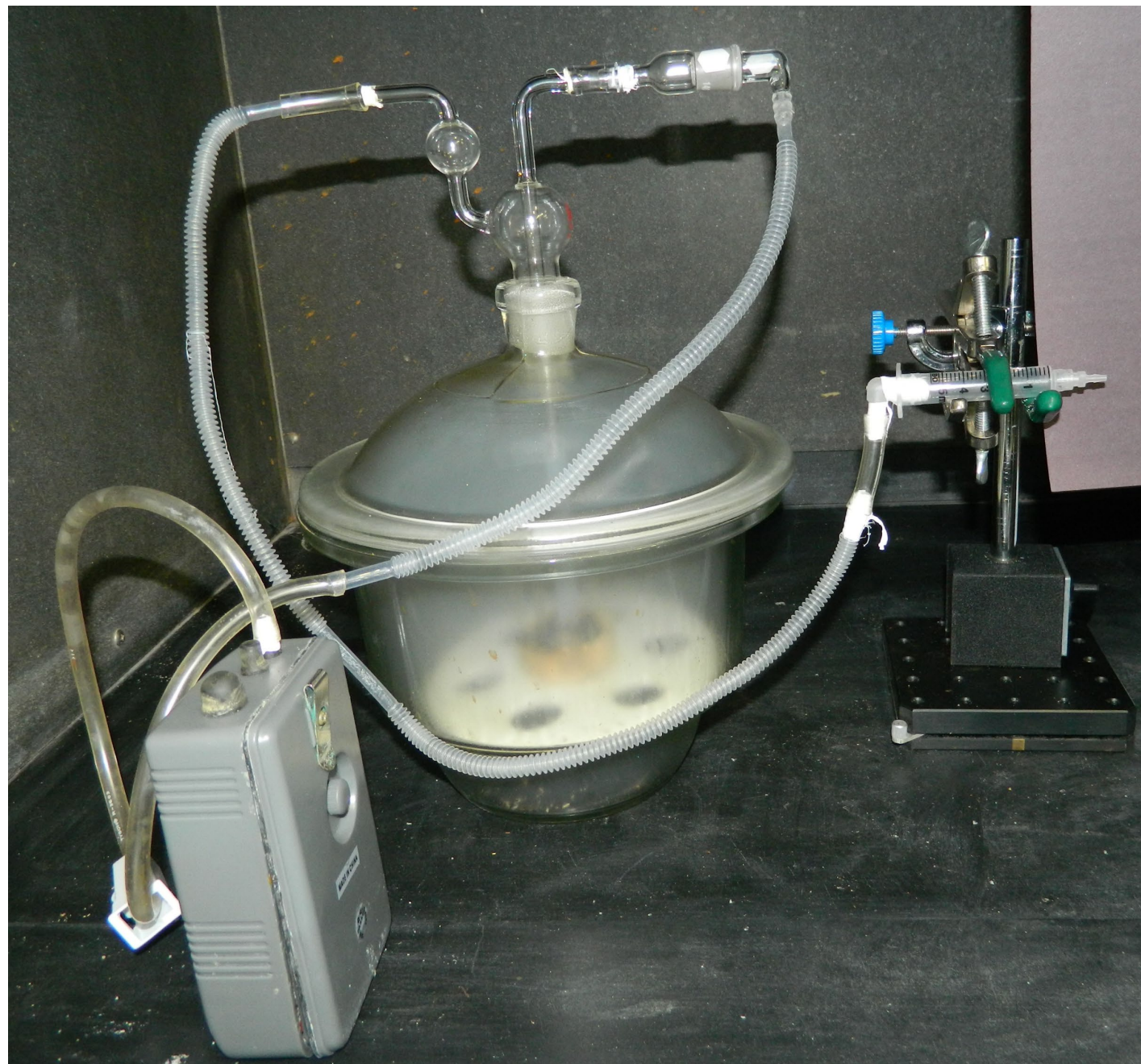
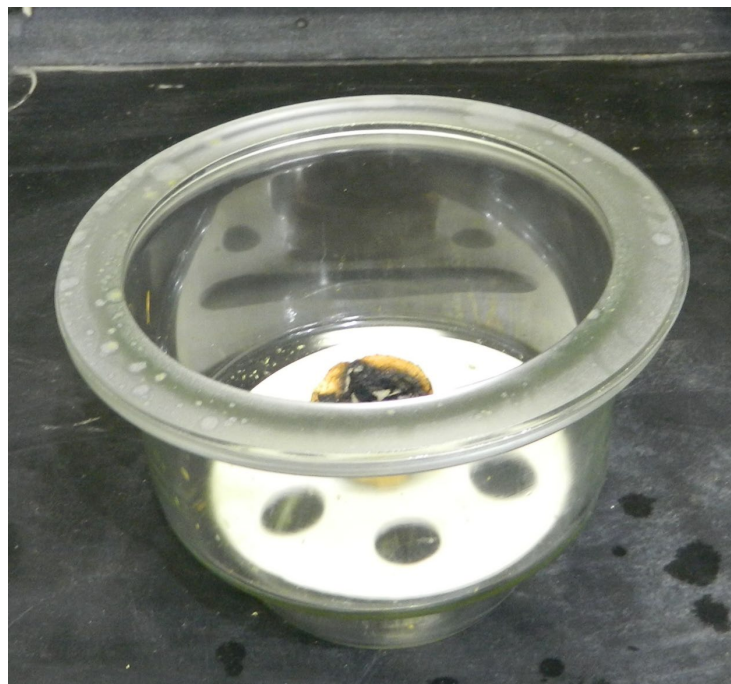
## **HEMP**

1. Arm + Hemp (Control/Non-treated)
2. Arm + Hemp Skeeterlog (Treated Hemp log)

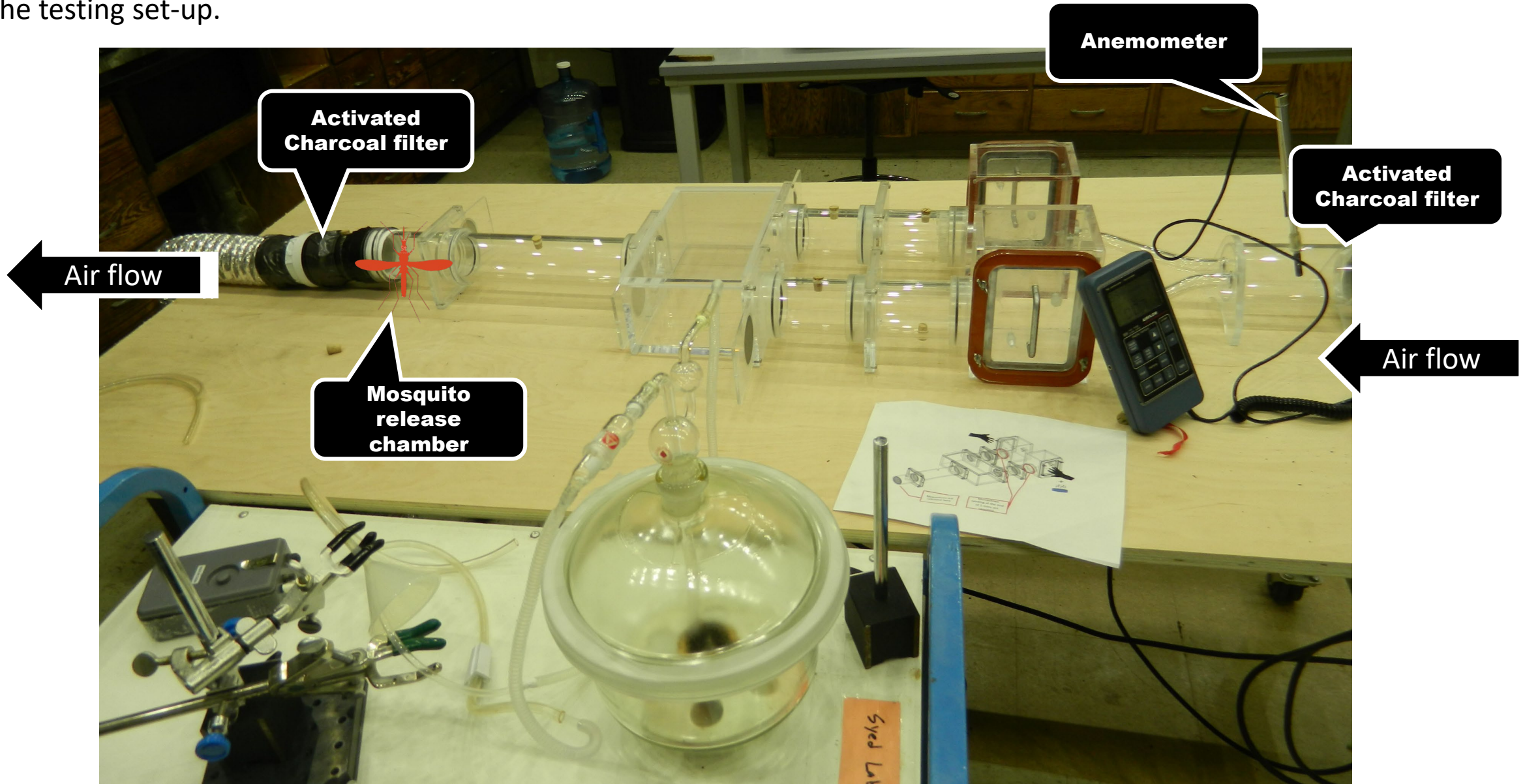
Replications: 10 (each run with 10 female mosquitoes)

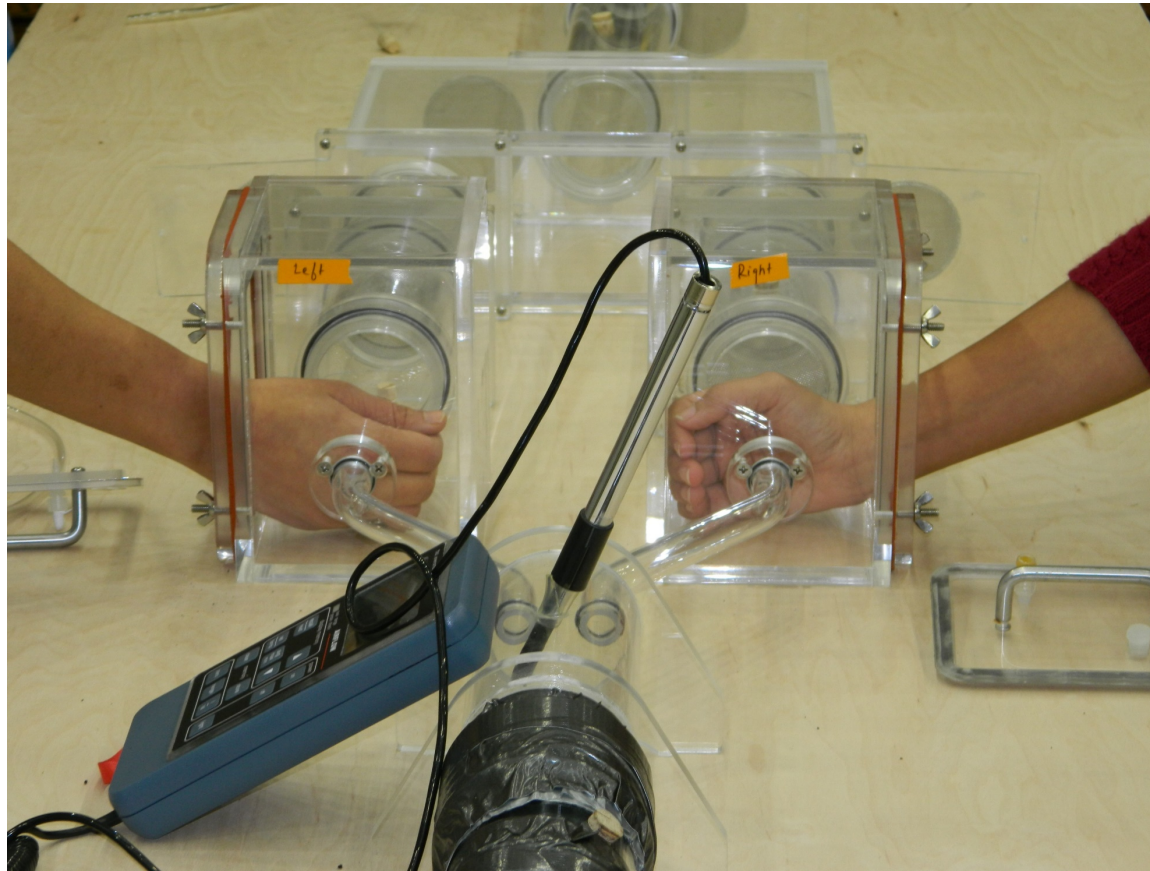
Species: *Aedes aegyptii* mosquitoes (host-seeking)

Skeeterlog being burnt inside a desiccator to generate the smoke. A fan pushed the smoke out.



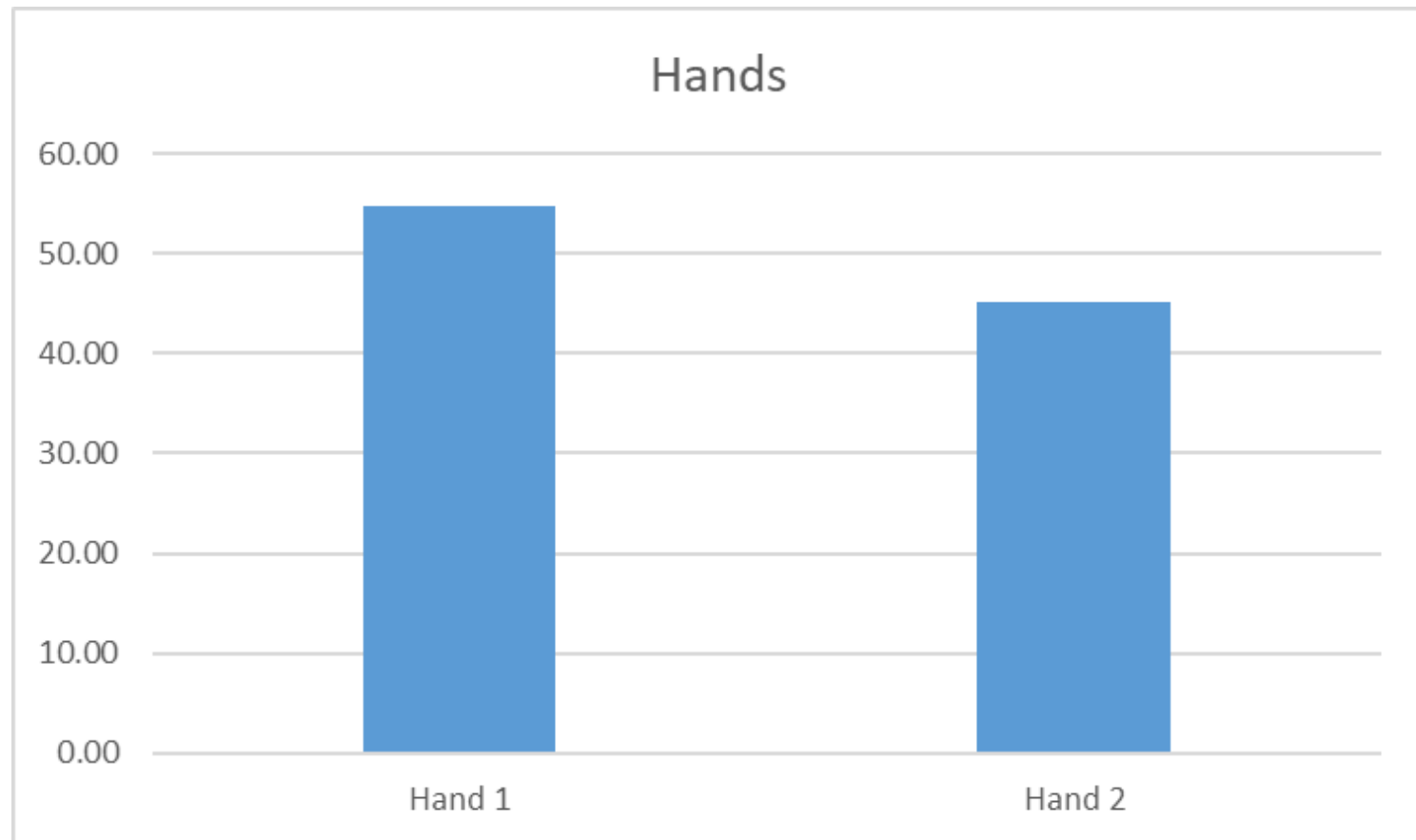
The testing set-up.

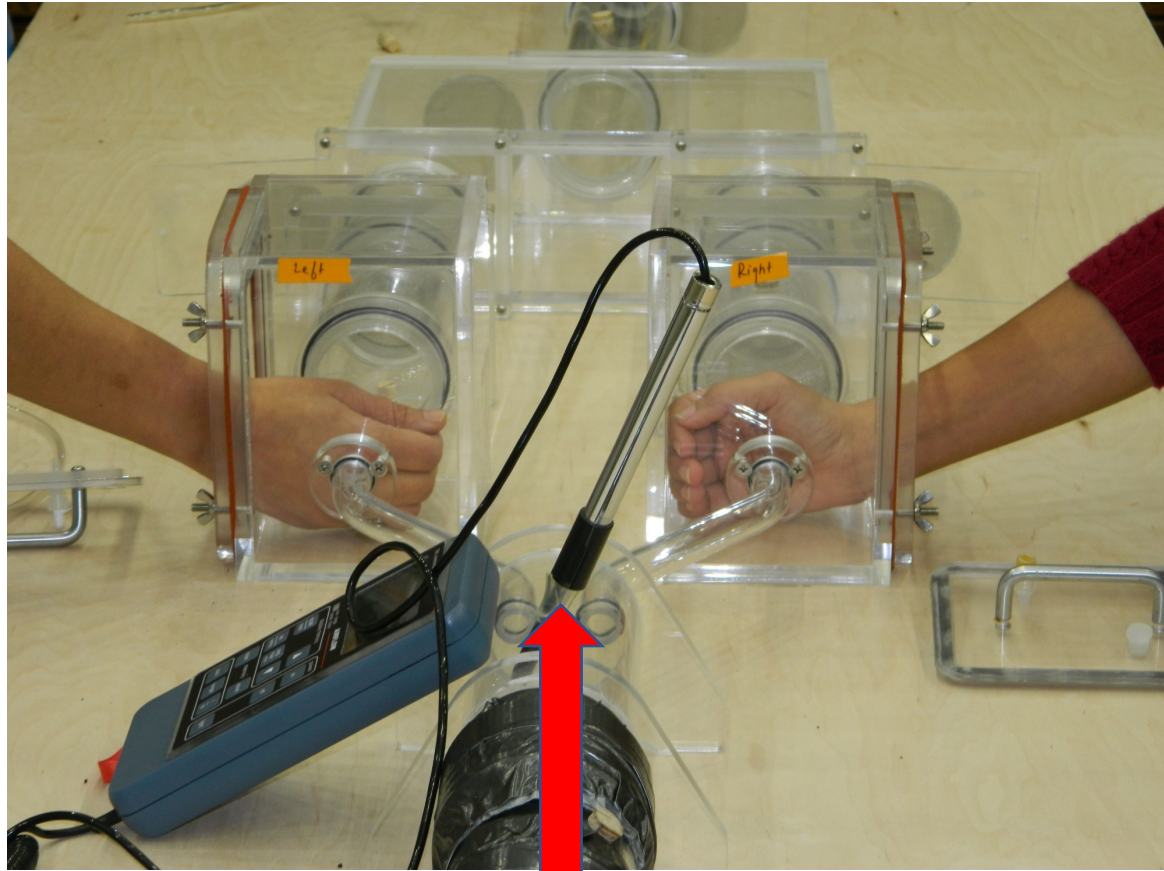




Hand vs Hand

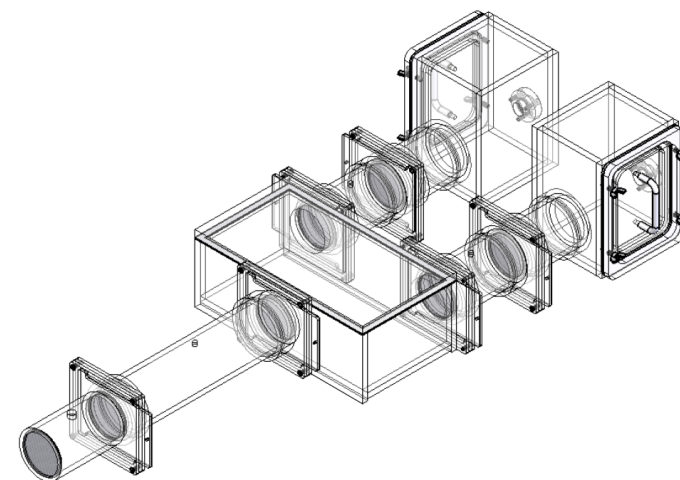
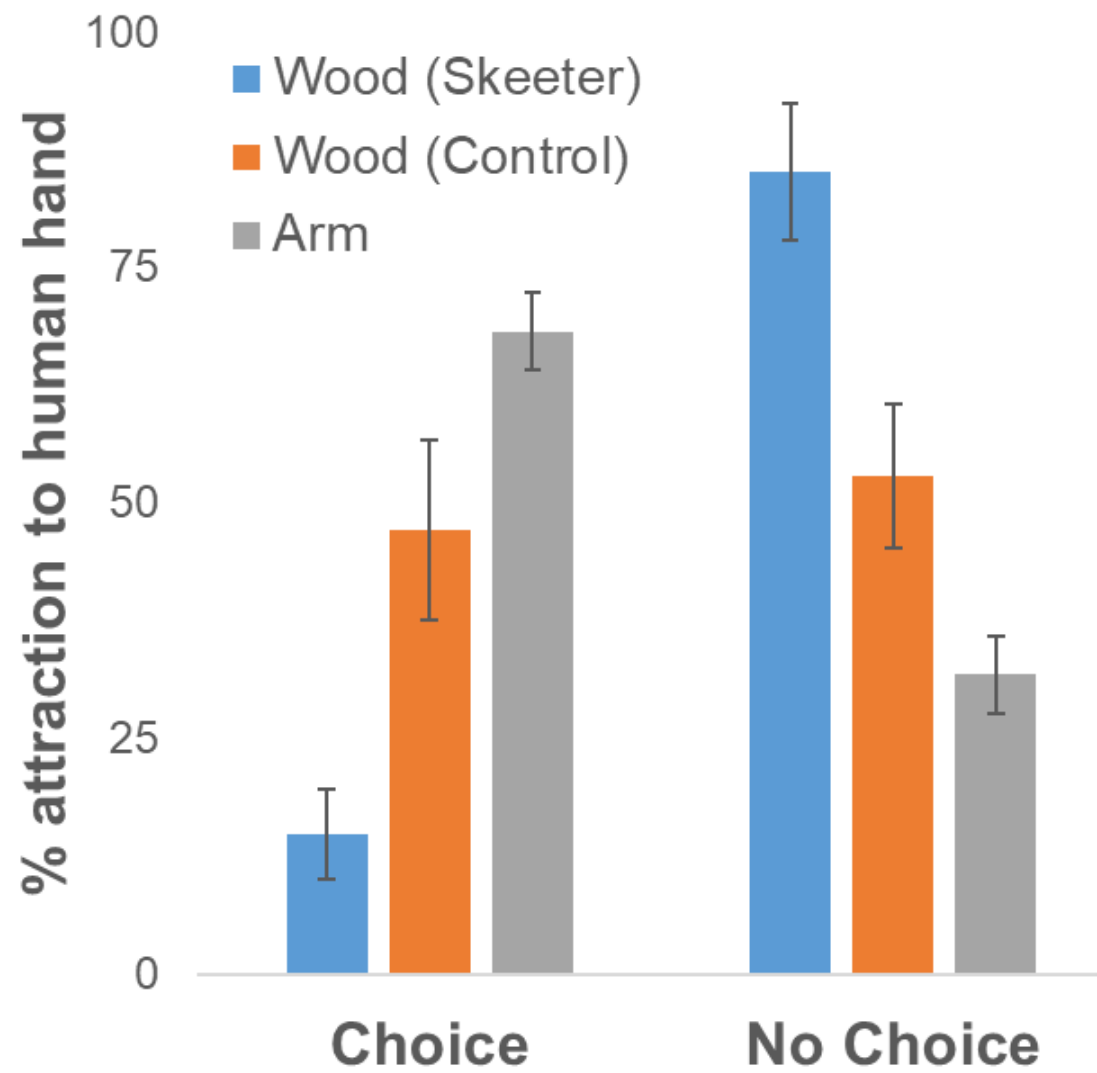
Hand vs Hand  
Added with SKEETERLOG



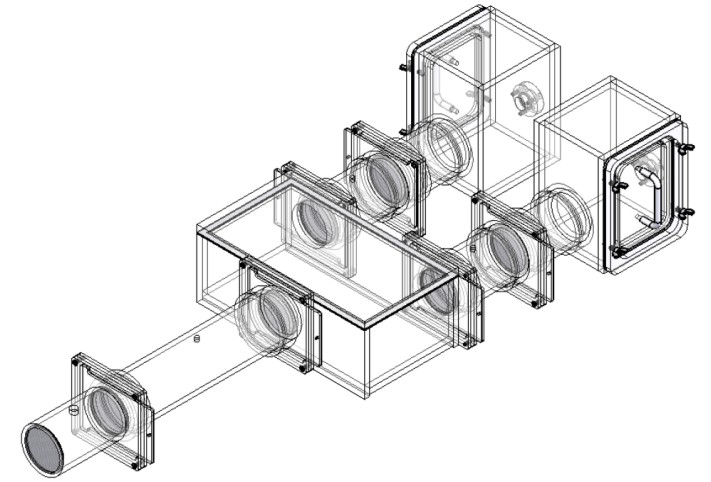


Hand  
Added with SKEETERLOG

# WOOD - % Choice



# WOOD - Time (in Sec)





The Skeeterlog® Efficacy study was sponsored by Mineral Labs in Salyersville, KY. When we asked Rodney Campbell, from Mineral Lab, how the results could be summarized for lay people he replied,

“The results in this study demonstrated that the Skeeterlog® is highly effective in repelling mosquitos.”